

TUFFMAXX

INSTALLATION INSTRUCTIONS

A/C REPLACEMENT COVER • P/N: 00-325001

1. Remove old A/C Cover and old foam at rear of unit.
2. Clean old foam tape off A/C unit and replace with furnished double sided foam tape. **See C in Figure 1.**
3. Apply the new FOAM pieces furnished in this kit. **See D in Figure 1.** Press them firmly to achieve proper adhesion.
4. Install TUFFMAXX cover by sliding the TUFFMAXX cover down and gently over the foam pieces.
5. Align the cover by pressing it forward to compress the foam.
6. Align cover with existing mounting holes or studs. **See A & B in Figure 1.**
7. Install Stainless Steel Fender Washers and nuts or existing bolts. **See A in Figure 1.**
8. Tighten hardware to secure TUFFMAXX in place.

CONGRATULATIONS ON INSTALLING YOUR NEW TUFFMAXX A/C REPLACEMENT SHROUD.

Should you require any assistance, please call customer service at 316.832.3400 or visit www.AIRXCEL.com.

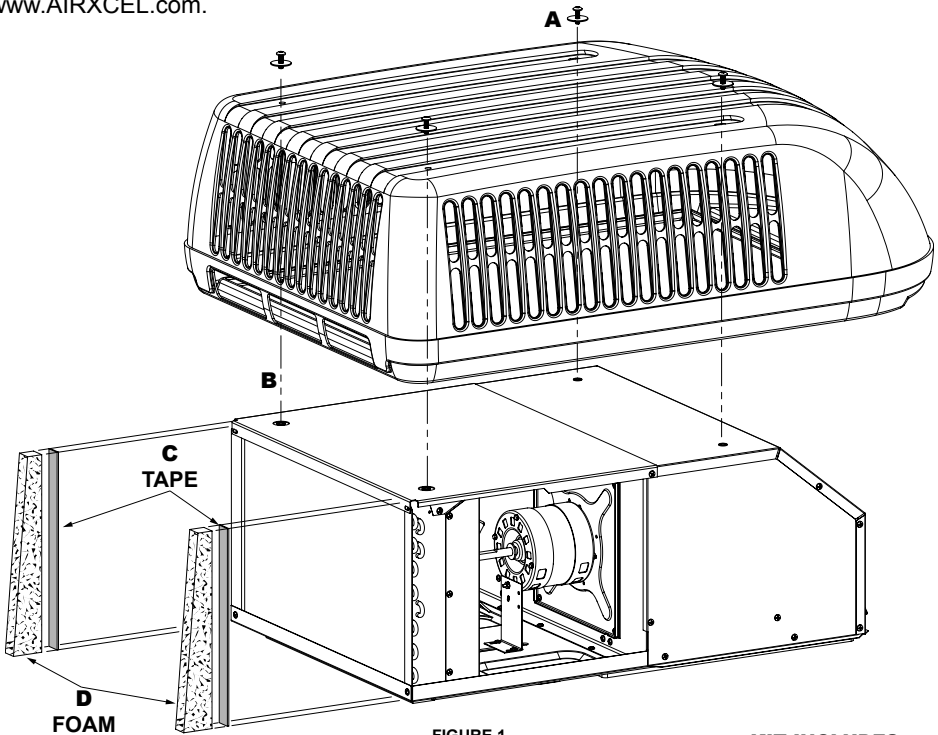


FIGURE 1

KIT INCLUDES:

- (1) TUFFMAXX COVER
- (4) FENDER WASHERS
- (2) PIECES OF FOAM TAPE
- (2) PIECES OF FOAM
- (4) 1/4 - 20 SS NUTS

PLEASE NOTE: This product has a limited LIFETIME WARRANTY to the original purchaser. Please retain proof of purchase should you need to call.

