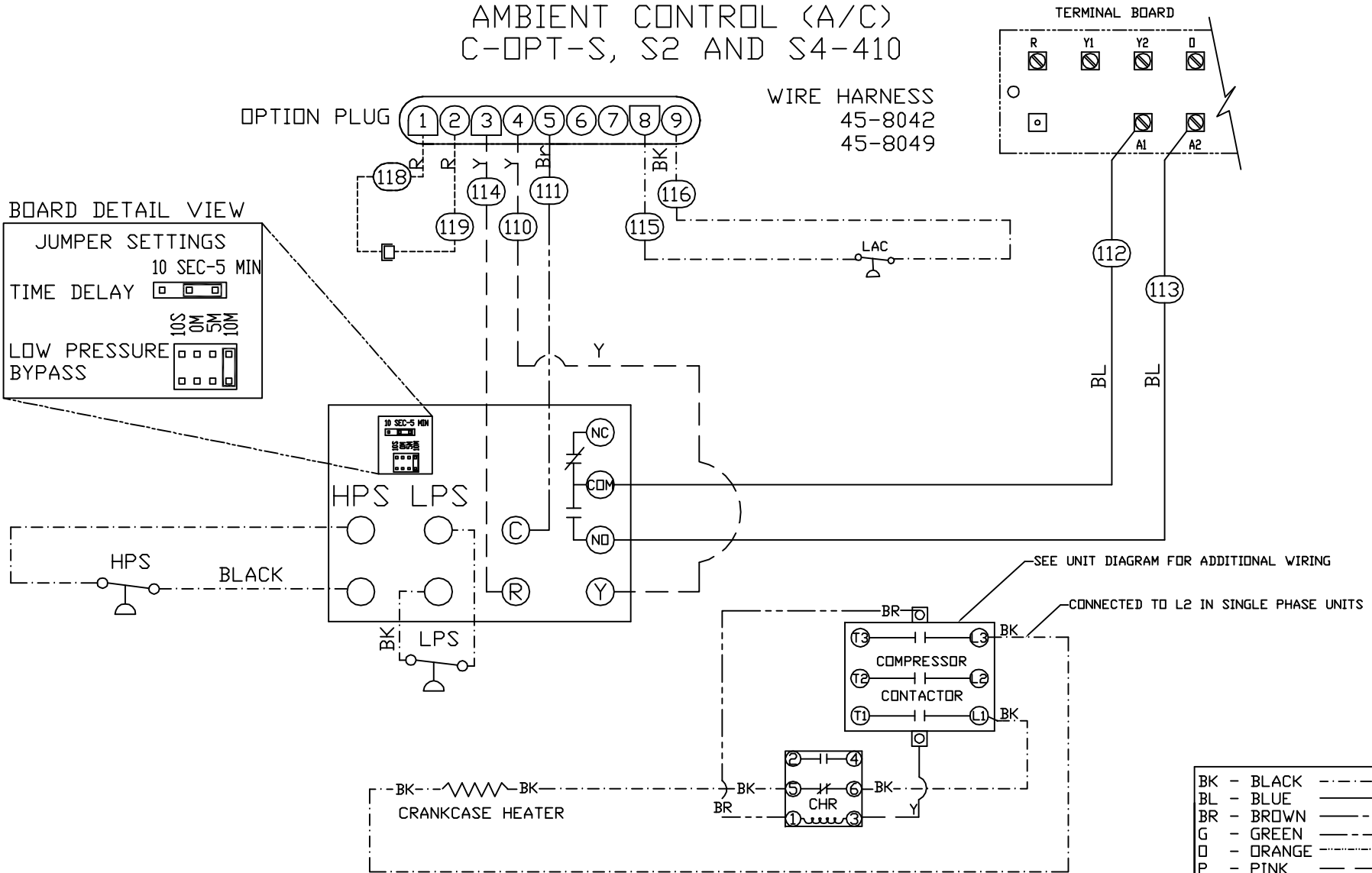


# HIGH PRESSURE, LOW PRESSURE, LOW AMBIENT CONTROL (A/C) C-OPT-S, S2 AND S4-410

WIRE HARNESS  
45-8042  
45-8049



**BOARD DETAIL VIEW**

JUMPER SETTINGS  
10 SEC-5 MIN

TIME DELAY

LOW PRESSURE BYPASS  
10S  15M  10M

BK	-	BLACK
BL	-	BLUE
BR	-	BROWN
G	-	GREEN
O	-	ORANGE
P	-	PINK
R	-	RED
W	-	WHITE
Y	-	YELLOW